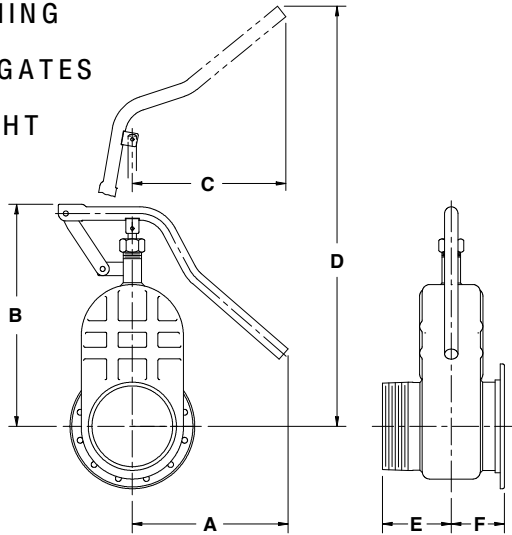


SLIDING VALVE

3", 4", & 6" VALVE

QUICK OPENING
STAINLESS GATES
BUBBLE TIGHT



6 in. VALVE SHOWN

The Betts Sliding Valve is an economical means of providing a quick opening – quick closing valve where high working pressure will not be encountered. All valves are standard with stainless steel gates which provide a bubble tight seal.

TTMA DRILLING

Size	Assembly No. Flanged x Flanged	Material	Wt.	Size	Assembly No. Flanged x Threaded	Material	Wt.
3"	SV903 MSM	Steel	11.4	3"	SV913 MSM	Steel	10.9
	SV903 SSM	316 Stainless			SV913 SSM	316 Stainless	
4"	SV904 MSM	Steel	14.9	4"	SV914 MSM	Steel	14.1
	SV904 SSM	316 Stainless			SV914 SSM	316 Stainless	
6"	SV906 MSM	Steel	32.5	6"	SV916 MSM	Steel	30.0
	SV906 SSM	316 Stainless			SV916 SSM	316 Stainless	

ANSI DRILLING *

Size	Assembly No. Flanged x Flanged	Material	Wt.	Size	Assembly No. Flanged x Threaded	Material	Wt.
3"	SV953 MSM	Steel	19.0	3"	SV963 MSM	Steel	15.0
	SV953 SSM	316 Stainless			SV963 SSM	316 Stainless	
4"	SV954 MSM	Steel	24.5	4"	SV964 MSM	Steel	20.0
	SV954 SSM	316 Stainless			SV964 SSM	316 Stainless	
6"	SV956 MSM	Steel	46.0	6"	SV966 MSM	Steel	40.0
	SV956 SSM	316 Stainless			SV966 SSM	316 Stainless	

Dimensions

Size	A	B	C	D	E	F	TTMA Flange				ANSI Flange *				Max. Working Pressure
							O.D.	B.C.	Holes	Thick.	O.D.	B.C.	Holes	Thick.	
3"	9 1/2	11 5/8	9	19	3 3/16	2 1/4 †	6 1/8	4 1/8	8 - 1/16	.1345	7 1/2	6	4 - 3/4	1 1/2	75 PSI
4"	10	13	9	24	3 5/16	2 5/8 *	7 1/8	5 1/8	8 - 1/16	.1345	9	7 1/2	8 - 3/4	1 1/2	75 PSI
6"	8	17	14	26	5 1/16	4	9 3/8	8 1/8	12 - 1/16	.1345	11	9 1/2	8 - 1/8	1 1/2	50 PSI

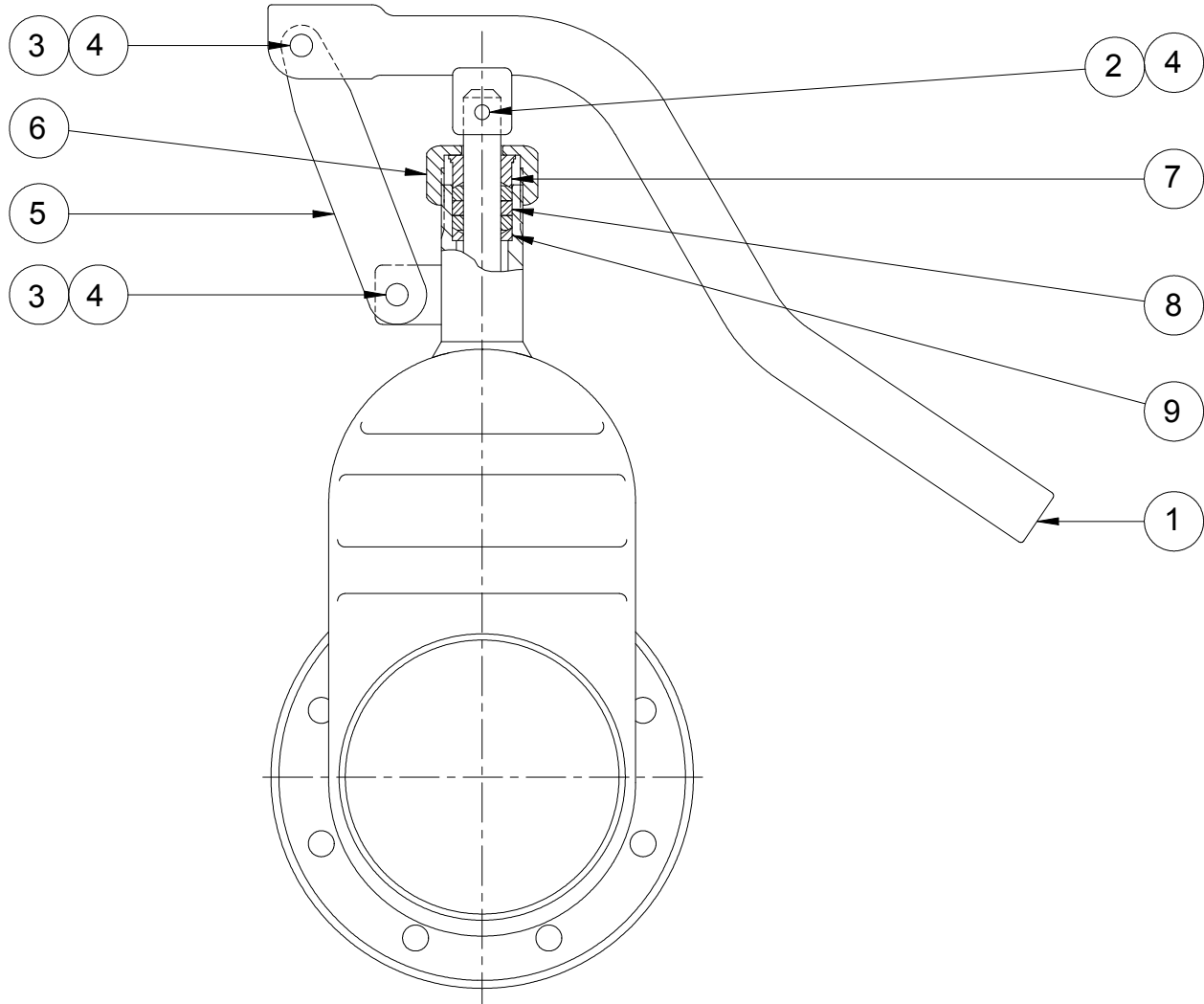
*ANSI Dimension 3 1/2"

*Drilling Dimensions Only

† 3" ANSI Dimension 2 5/8"

PARTS LIST

SLIDING VALVE



Item No.	Description	Req'd.	Material	3" & 4" Valve Part No.	6" Valve Part No.
1	Handle	1	Steel "E" Coated	35131EY	26764EY
2	Clevis Pin $1/4 \times 1 1/4$	1	Steel Zinc Plt.	9Q4728	9Q4728
3	Clevis Pin-Link	2	Steel "E" Coated	15757EY	15757EY
4	Cotter Pin $3/32 \times 3/4$	3	Brass	9Q5865	9Q5865
5	Link	1	Steel "E" Coated	17446EY	17903EY
6	Stuffing Box Nut	1	Aluminum	15026AL	15026AL
			304 Stainless	16026SL	15026SL
7	Top Gland	1	316 Stainless	15220SS	15220SS
8	Packing	Set	Non-Asbestos/Teflon	15227NT	15227NT
9	Bottom Gland	1	316 Stainless	15076SS	15076SS

WARNING Use only genuine Betts Industries Inc. replacement parts. Use of substitute part can impair the proper functioning of this product.



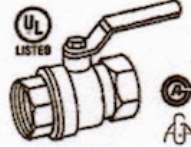
**WFN SERIES
NPT FULL PORT
FORGED BRASS BALL VALVE**



1/4" - 4"



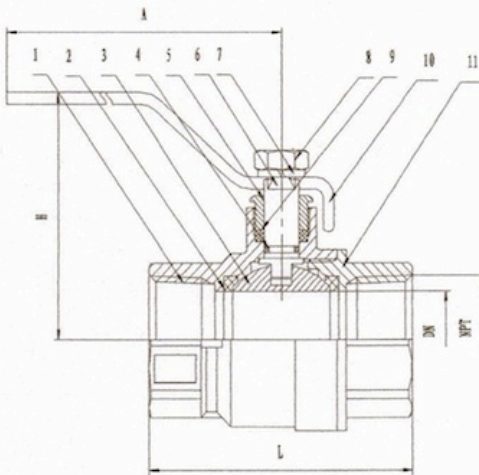
1/4" - 2"



ISO 9001 Manufacturer

FEATURES

- Suitable for full range of gases
- Minimal pressure drop due to large full size ports
- Bottom loaded, pressure retaining stem
- Max working pressure rated 600 WOG, 150 WSP & 175 PSIG & 1/2G 2G 5G
- Viton O-ring to prevent stem leakage
- Temperature range up -40° C to 65° C
- Fast 1/4 turn open or close operation
- Low operating torque
- Each valve individually tested
- Forged Brass-for more strength (4" casting only)
- Hard chromium plated solid ball
- Bottom entry, blow-out proof stem



CONSTRUCTION DETAIL		
POS	PART NAME	MATERIAL
1	BODY	BRASS C37700
2	SEALING WASHER	TEFLON
3	CHROME PLATED BALL	BRASS C37700
4	O-RING	BUNA-N
5	PACKING NUT	BRASS C37700
6	STEM	BRASS C37700
7	LOCK WASHER	STAINLESS STEEL
8	HANDLE NUT	CHROME PLATED STEEL
9	BALL PACKING	TEFLON
10	ZINC-PLATED STEEL HANDLE	CARBON STEEL
11	CAP	BRASS C37700

SIZE	ITEM #	WEIGHT	Dimension (mm)							List Price (CAD)
			L	DN	H	A	NPT	Box	Case	
1/4"	WFN-01	127g	44	10	42.5	85	6.4	12	120	
3/8"	WFN-02	128g	44.5	10	42.5	85	9.5	12	120	
1/2"	WFN-03	213g	58	15	46	85	12.7	10	100	
3/4"	WFN-04	328g	64	19	60	109	19	8	80	
1"	WFN-05	640g	75.5	25	64	109	25.4	6	48	
1 1/4"	WFN-06	764g	87.5	32	64	143	31.7	4	36	
1 1/2"	WFN-07	1027g	98.5	40	69	143	66.8	4	24	
2"	WFN-08	1501g	109	50	77	143	38.1	6	12	
2 1/2"	WFN-09	3184g	142	64	108	197	63.5	3	6	
3"	WFN-10	5032g	162	75	123	212	76	3	6	
4"	WFN-11	8900g	198	99	145	236	101.6	1	2	

Teflon & Viton is registered trademark of Dupont. We reserve the right to alter technical details without notice.